

6.10
STANDARD THICKNESS OF OUTER
RIB ON BEAMS AND PLATES



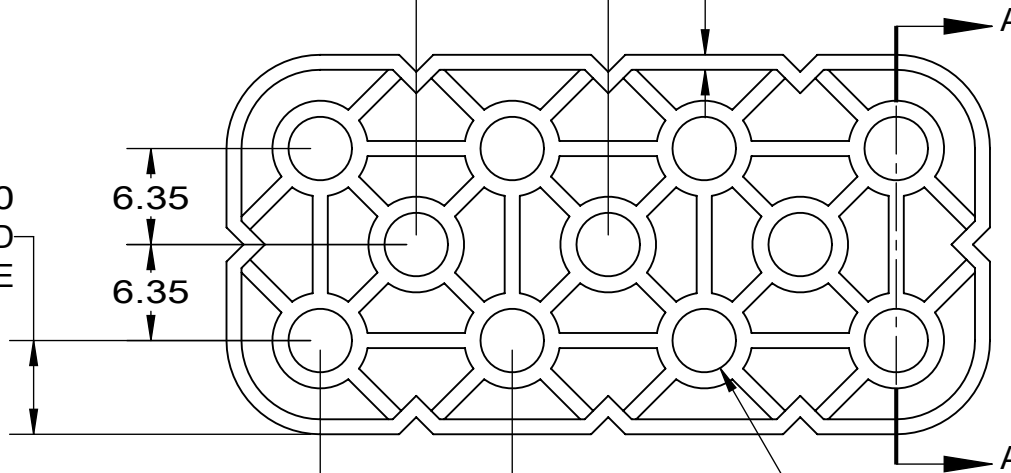
12.70
STANDARD HOLE
PITCH (SPACING)

1.0
STANDARD RIB
THICKNESS

6.20
STANDARD
CLEARANCE

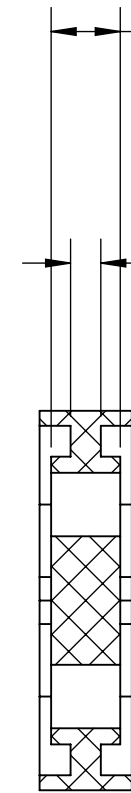
6.35
6.35

12.70
STANDARD HOLE
PITCH (SPACING)



4.57
STANDARD
DEPTH OF
SNAP HOLES

2.0
STANDARD
INNER RIB
THICKNESS

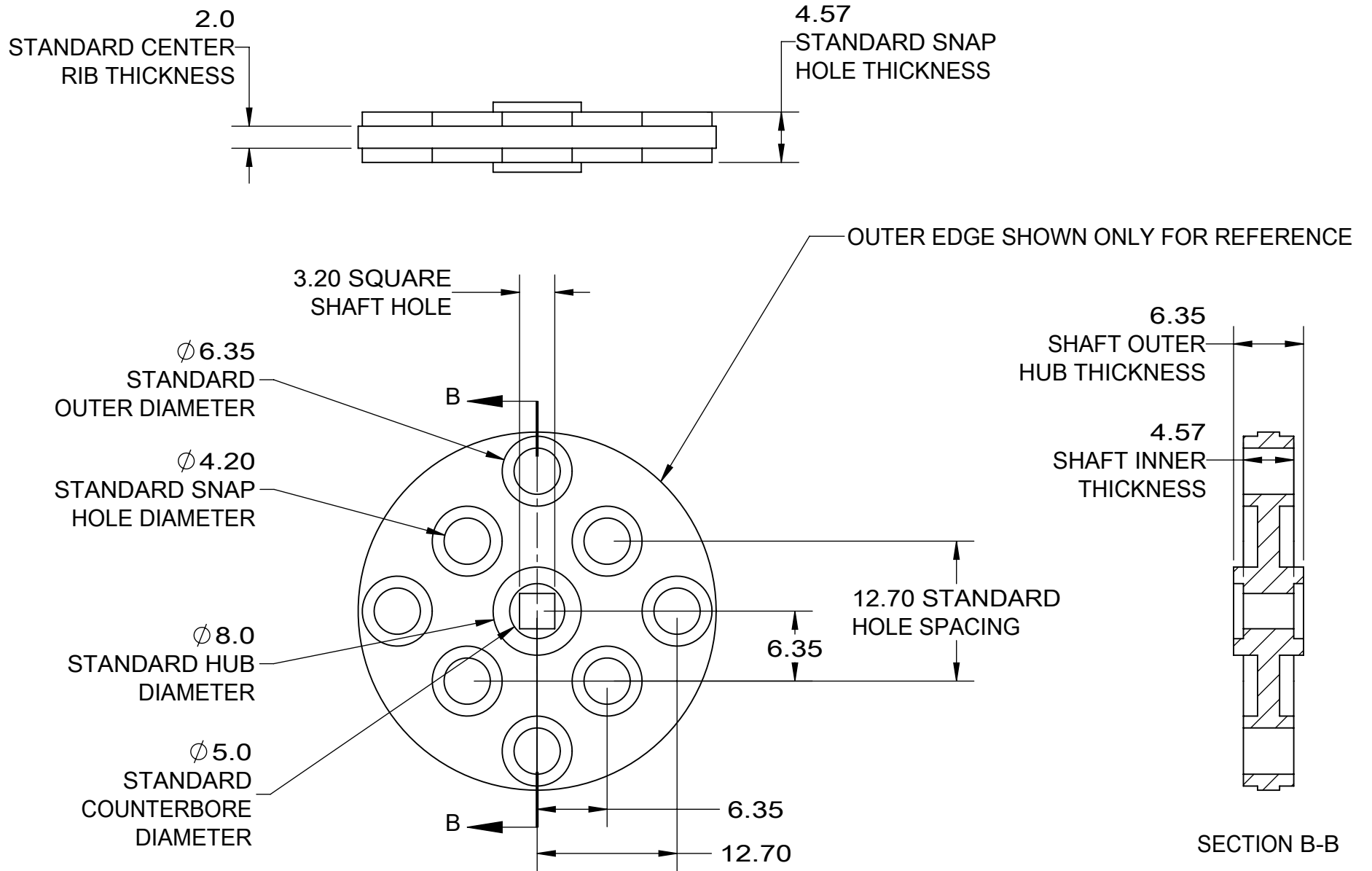



SECTION A-A

Ø 4.20
STANDARD SNAP HOLE DIAMETER



Description	IMPORTANT VEX IQ BEAM DIMENSIONS	
Dwg No	3D-PRINT-DIMENSIONS	
Project	VEX IQ	Sheet 1 of 2
Release	2014-03-26	ALL DIMENSIONS ARE IN MILLIMETERS.



	Description		IMPORTANT VEX IQ SHAFT DIMENSIONS
	Dwg No		3D-PRINT-DIMENSIONS
	Project	VEX IQ	Sheet 2 of 2
	Release	2014-03-26	ALL DIMENSIONS ARE IN MILLIMETERS.